



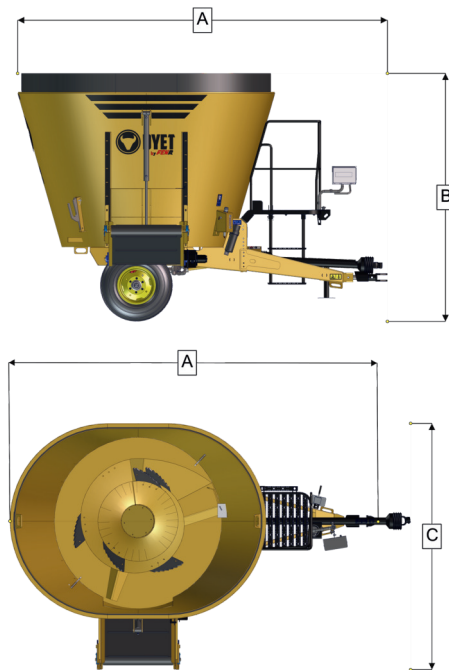
# CLASSIC SERIES ZS09

## Quality, Reliability and Innovation

Designed for performance, a new auger that constantly mixes homogeneously, manufactured with the highest quality and assembled with the best components on the market, this gives you an innovative and reliable mixer, which will allow you to feed your animals with a precise diet.

### “Classic” Series Characteristics

- 3-sensor weighing system
- Compact design thanks to integrated chassis
- Optimized for more affordable prices without losing performance



Classic Series		
		C-ZS09
Capacity	ft <sup>3</sup>	318
Recommended Power	Minimum HP	50
PTO	RPM	540
Auger speed	RPM	18 / 32
Knives	Pcs.	7
A	in	170
C	in	118.5
B*	in	111
Lug nuts	Pcs.	8
Wheels	Size	400/60-15.5
Empty Weight*	lb	5,732
Max mixing Load*	lb	7,055

DYET is here to provide farmers with efficient, innovative and reliable feeding solutions by designing and manufacturing high-quality equipment.

We dare to design the future of livestock feeding with our clear core values:



Quality



Excellence



Reliability



Innovation



Animal Health



www.DYET.mx

